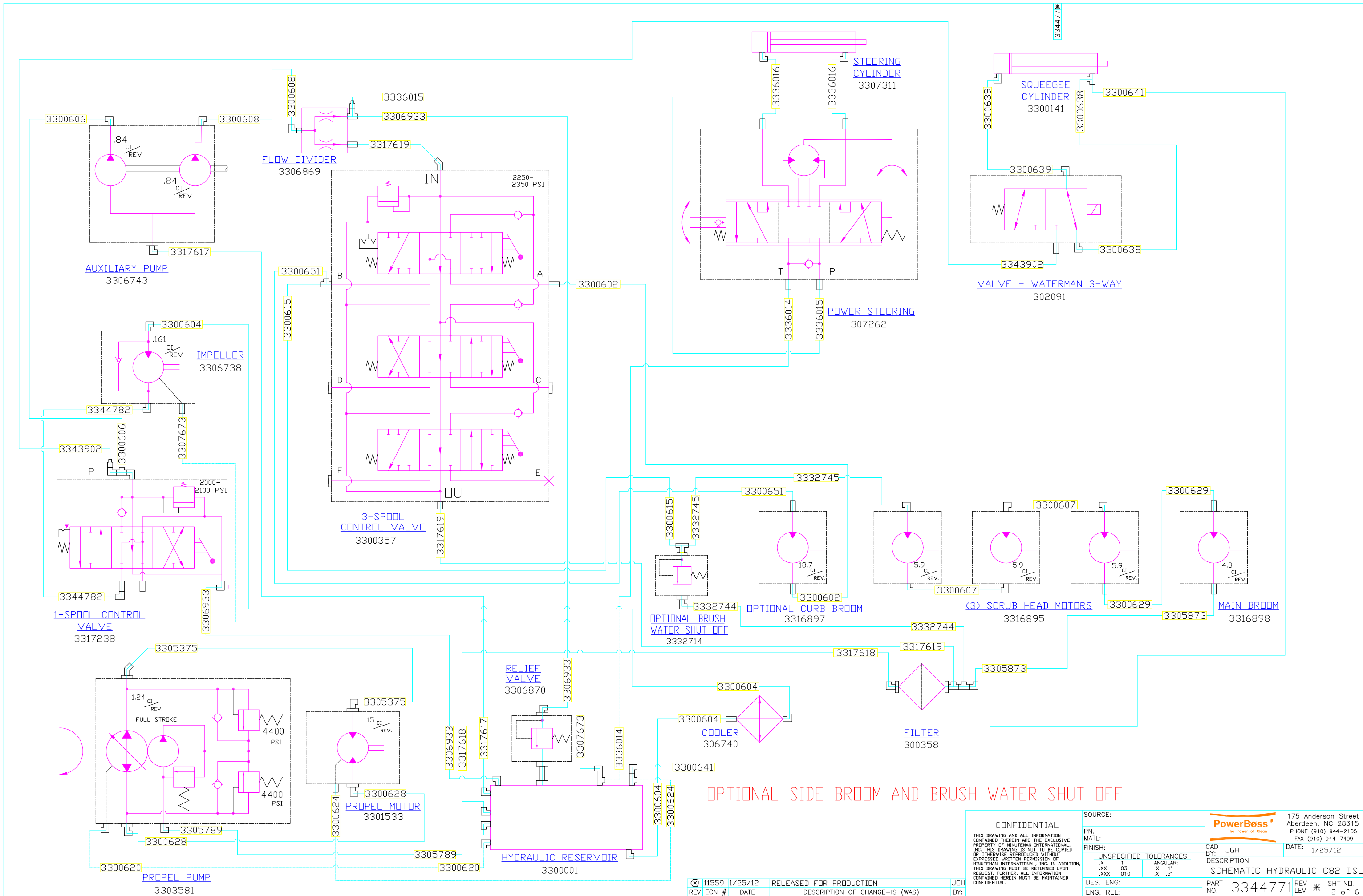


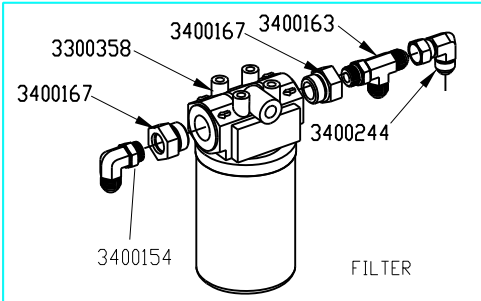
11559	1/25/12	RELEASED FOR PRODUCTION	JGH
REV	ECN #	DESCRIPTION OF CHANGE-IS (WAS)	BY:

CONFIDENTIAL		SOURCE:		175 Anderson Street Aberdeen, NC 28315 PHONE (910) 944-2105 FAX (910) 944-7409	
THIS DRAWING AND ALL INFORMATION CONTAINED THEREIN ARE THE EXCLUSIVE PROPERTY OF MINUTEMAN INTERNATIONAL, INC. THIS DRAWING IS NOT TO BE COPIED OR OTHERWISE REPRODUCED WITHOUT EXPRESSED WRITTEN PERMISSION OF MINUTEMAN INTERNATIONAL, INC. IN ADDITION, THIS DRAWING MUST BE RETURNED UPON REQUEST. FURTHER, ALL INFORMATION CONTAINED HEREIN MUST BE MAINTAINED CONFIDENTIAL.		PN: MATL: FINISH:		DATE: 1/25/12	
UNSPECIFIED TOLERANCES:		CAD BY: JGH		DESCRIPTION	
.X .1 .XX .03 .XXX .010		ANGULAR: X .1 X .5		SCHEMATIC HYDRAULIC C82 DSL	
DES. ENG:		PART NO. 3344771		REV * LEV	
ENG. REL:		SHT NO. 1 of 6			

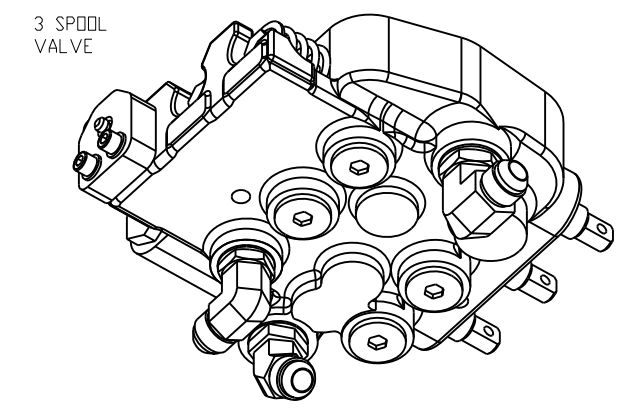


OPTIONAL SIDE BROOM AND BRUSH WATER SHUT OFF

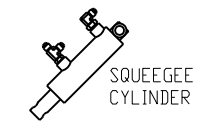
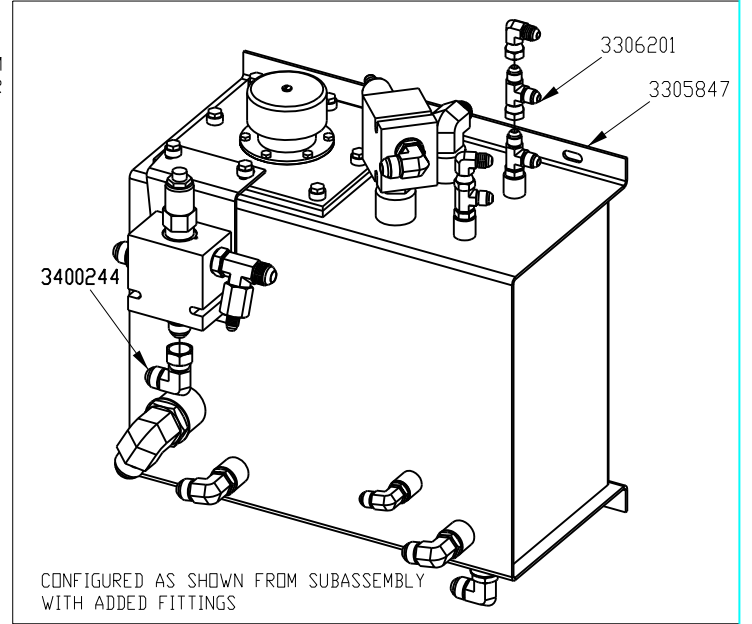
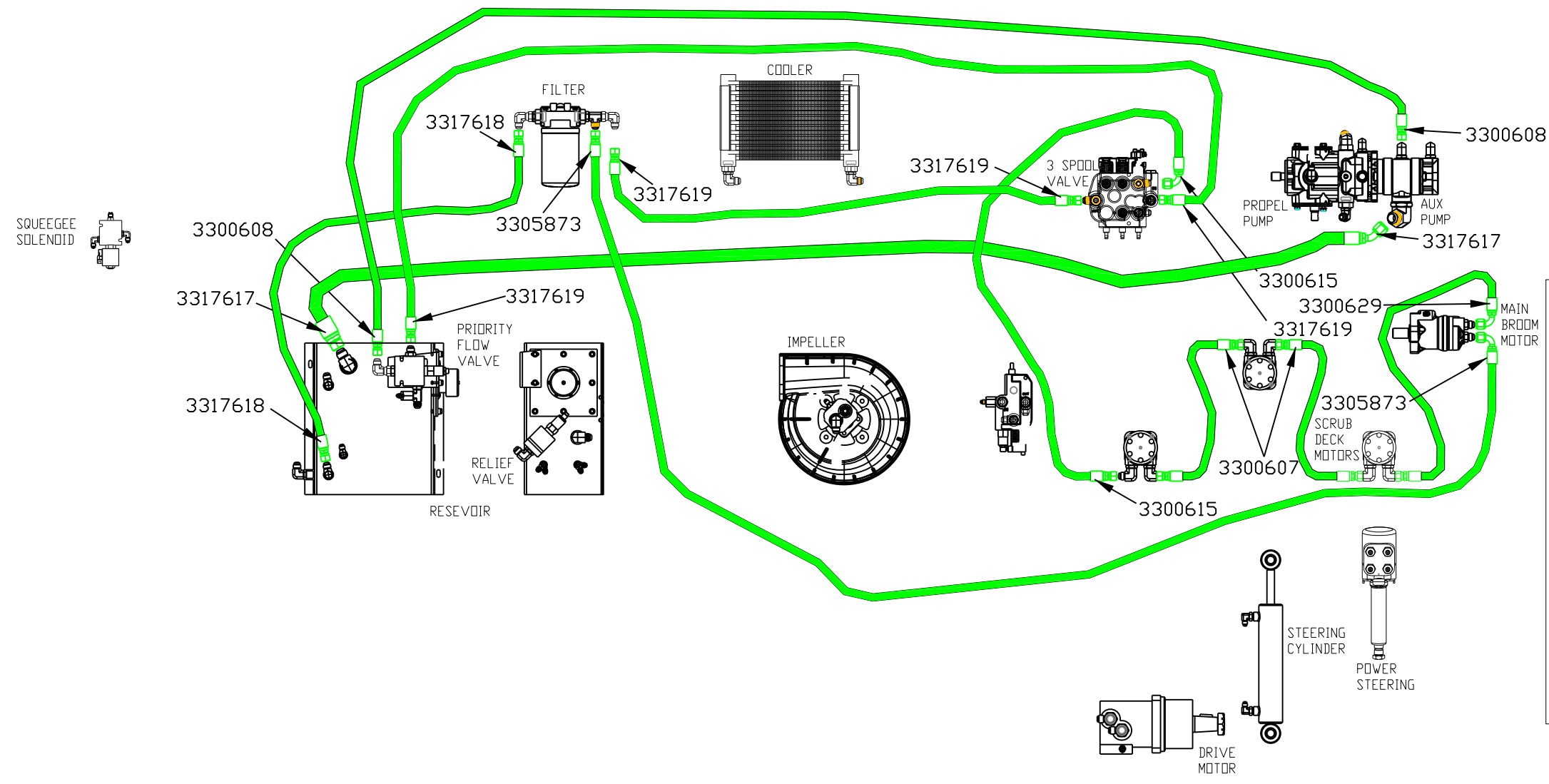
<p>CONFIDENTIAL</p> <p>THIS DRAWING AND ALL INFORMATION CONTAINED THEREIN ARE THE EXCLUSIVE PROPERTY OF MINUTEMAN INTERNATIONAL, INC. THIS DRAWING IS NOT TO BE COPIED OR OTHERWISE REPRODUCED WITHOUT EXPRESSED WRITTEN PERMISSION OF MINUTEMAN INTERNATIONAL, INC. IN ADDITION, THIS DRAWING MUST BE RETURNED UPON REQUEST. FURTHER, ALL INFORMATION CONTAINED HEREIN MUST BE MAINTAINED CONFIDENTIAL.</p>		<p>SOURCE:</p> <p>PN. MATL:</p> <p>FINISH:</p> <p>UNSPECIFIED TOLERANCES:</p> <p>.XX .03 ANGLAR: X' 1'</p> <p>.XXX .010 .X .5'</p>	<p>PowerBoss The Power of Clean</p> <p>175 Anderson Street Aberdeen, NC 28315 PHONE (910) 944-2105 FAX (910) 944-7409</p>
<p>11559 1/25/12 RELEASED FOR PRODUCTION JGH</p> <p>REV ECN # DATE DESCRIPTION OF CHANGE-IS (WAS) BY:</p>	<p>CAD BY: JGH DATE: 1/25/12</p> <p>DESCRIPTION: SCHEMATIC HYDRAULIC C82 DSL</p>	<p>DES. ENG:</p> <p>ENG. REL:</p>	<p>PART NO. 3344771 REV * SHT NO. 2 of 6</p>



334477



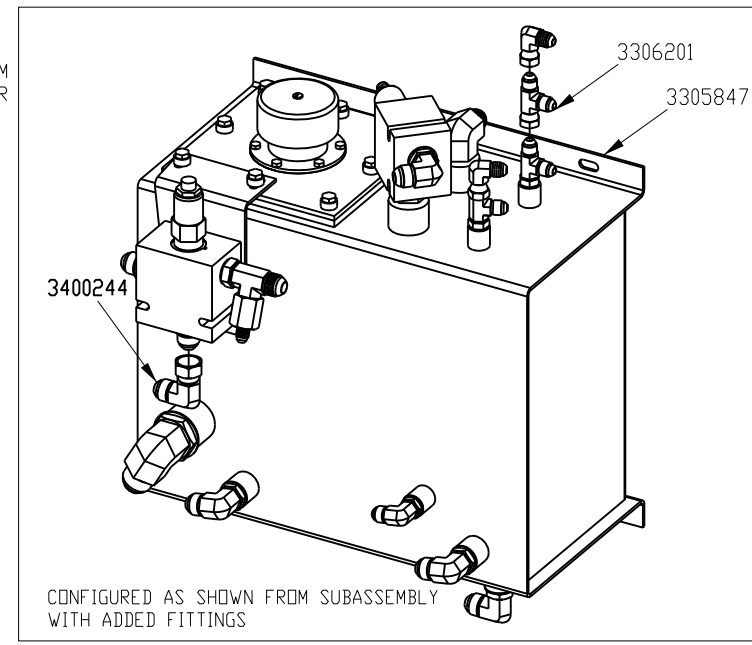
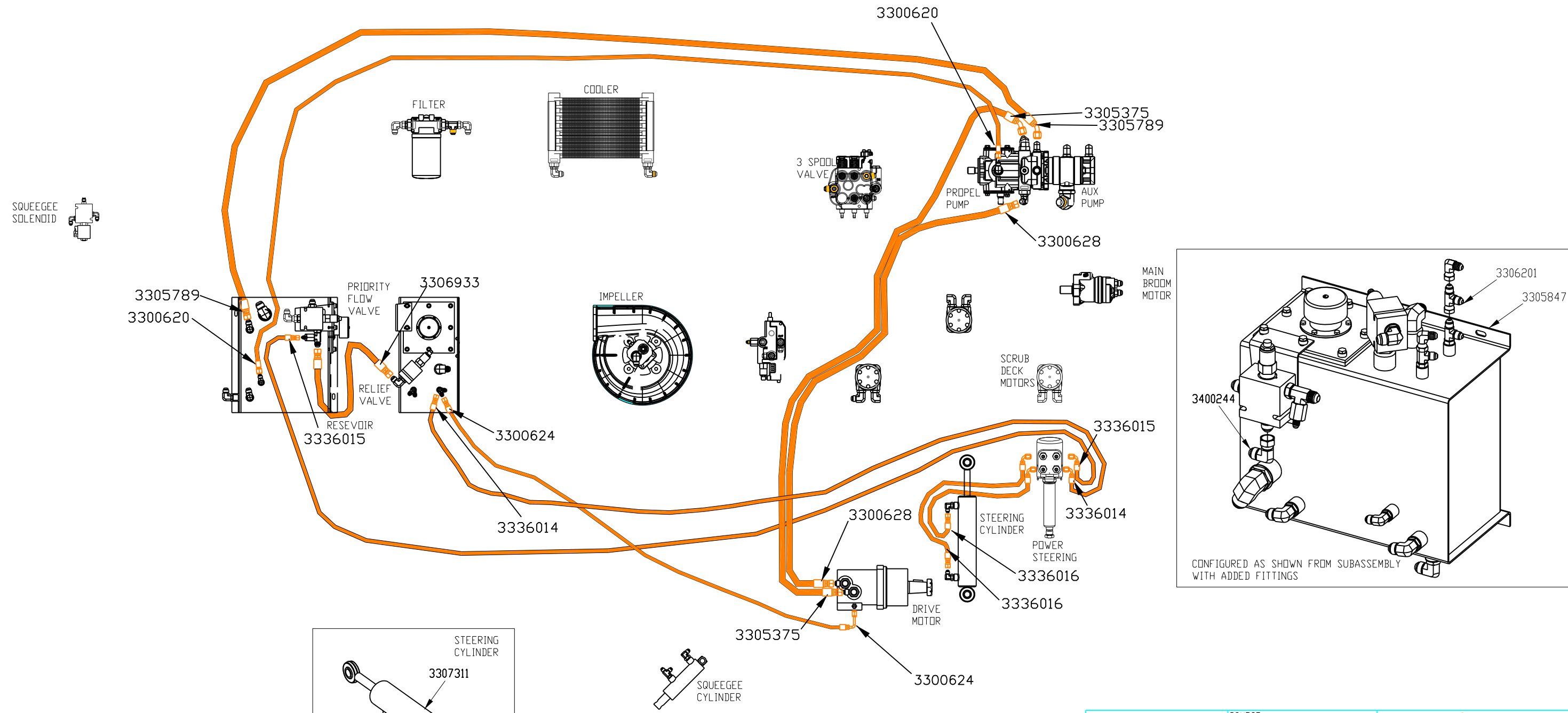
CONFIGURED AS SHOWN FROM SUBASSEMBLY



BROOM AND SCRUB FUNCTIONS

11559	1/25/12	RELEASED FOR PRODUCTION	JGH
REV	ECN #	DATE	DESCRIPTION OF CHANGE--IS (WAS)

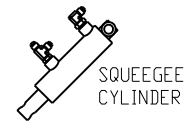
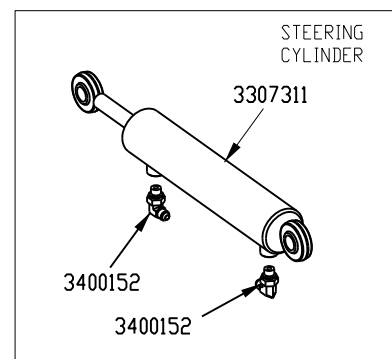
CONFIDENTIAL		SOURCE:		175 Anderson Street Aberdeen, NC 28315 PHONE (910) 944-2105 FAX (910) 944-7409	
<small>THIS DRAWING AND ALL INFORMATION CONTAINED THEREIN ARE THE EXCLUSIVE PROPERTY OF MINUTEMAN INTERNATIONAL, INC. THIS DRAWING IS NOT TO BE COPIED OR OTHERWISE REPRODUCED WITHOUT EXPRESSED WRITTEN PERMISSION OF MINUTEMAN INTERNATIONAL, INC. IN ADDITION, THIS DRAWING MUST BE RETURNED UPON REQUEST. FURTHER, ALL INFORMATION CONTAINED HEREIN MUST BE MAINTAINED CONFIDENTIAL.</small>		PN:	CAD BY: JGH		
FINISH: .X .1 .XX .03 .XXX .010		UNspecified TOLERANCES: ANGULAR: X .1" X .5"		DATE: 1/25/12	
DES. ENG:		DESCRIPTION:		SCHEMATIC HYDRAULIC C82 DSL	
ENG. REL:		PART NO. 3344771	REV NO. *	SHT NO. 3 of 6	

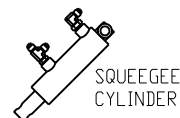
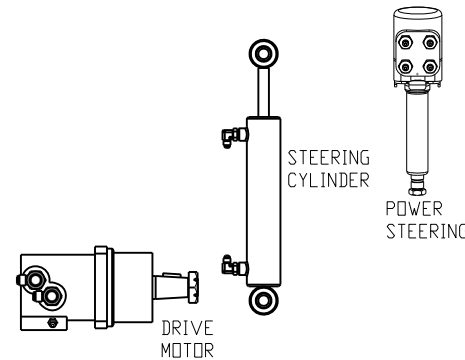
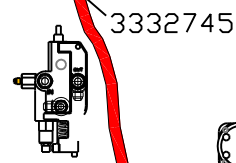
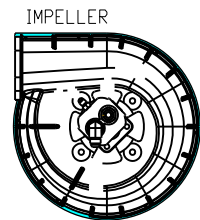
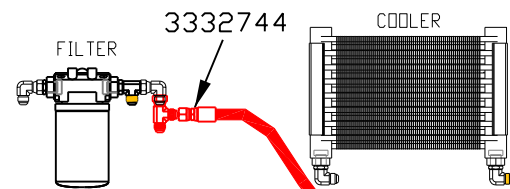
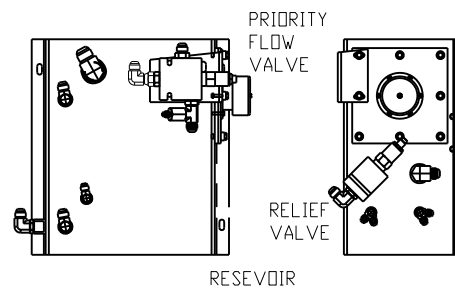
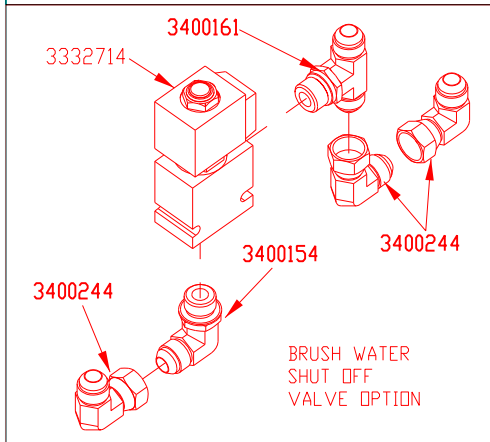
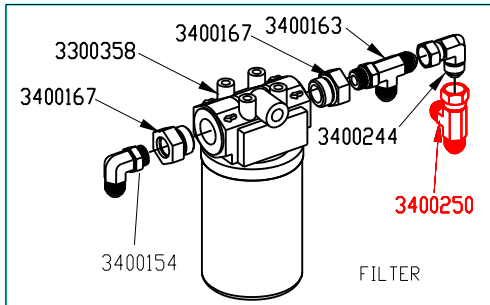


DRIVE AND STEERING FUNCTIONS

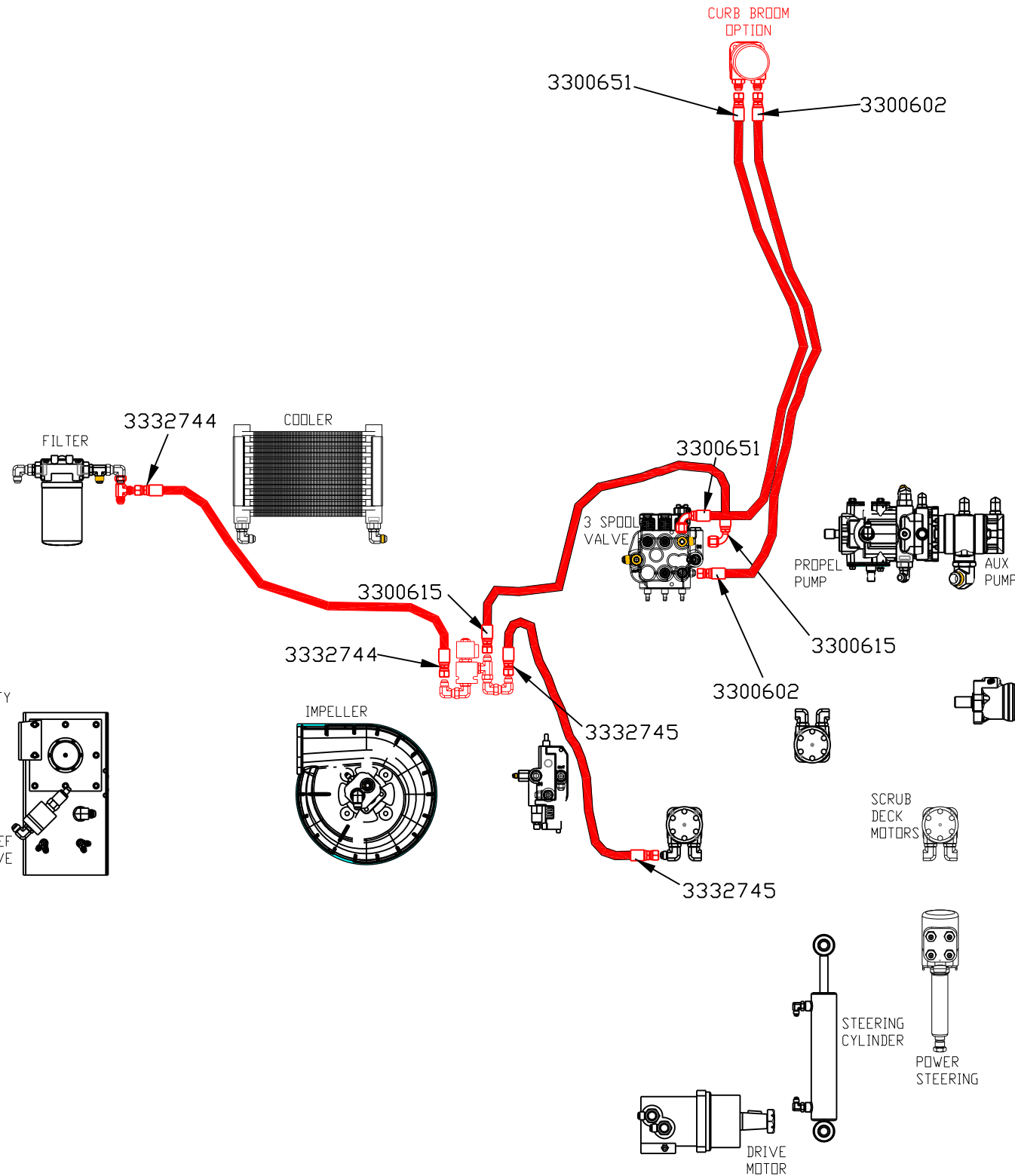
CONFIDENTIAL <small>THIS DRAWING AND ALL INFORMATION CONTAINED HEREIN ARE THE EXCLUSIVE PROPERTY OF MINUTEMAN INTERNATIONAL, INC. THIS DRAWING IS NOT TO BE COPIED OR OTHERWISE REPRODUCED WITHOUT EXPRESSED WRITTEN PERMISSION OF MINUTEMAN INTERNATIONAL, INC. IN ADDITION, THIS DRAWING MUST BE RETURNED UPON REQUEST. FURTHER, ALL INFORMATION CONTAINED HEREIN MUST BE MAINTAINED CONFIDENTIAL.</small>		SOURCE:	PowerBoss <small>The Power of Clean</small>	175 Anderson Street Aberdeen, NC 28315 PHONE (910) 944-2105 FAX (910) 944-7409
PN:		FINISH:	CAD BY: JGH	DATE: 1/25/12
UNSPECIFIED TOLERANCES:		DESCRIPTION:	SCHEMATIC HYDRAULIC C82 DSL	
.X .1	ANGULAR:	PART NO. 3344771	REV NO. *	SHT NO. 4 of 6
.XX .03	X .1"	ENG. REL:		
.XXX .010	X .5"			

11559	1/25/12	RELEASED FOR PRODUCTION	JGH
REV	ECN #	DATE	DESCRIPTION OF CHANGE--IS (WAS)

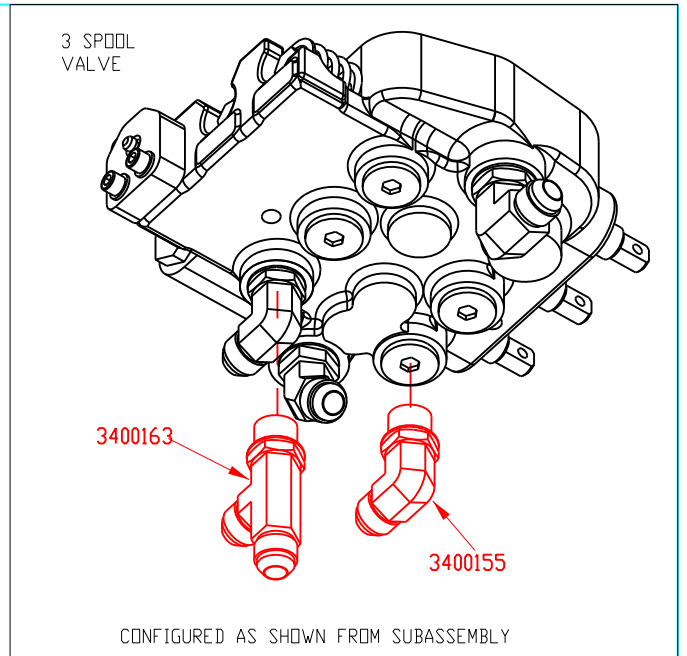




OPTIONAL SIDE BROOM AND BRUSH WATER SHUT OFF



3344771



11559	1/25/12	RELEASED FOR PRODUCTION	JGH
REV	ECN #	DATE	DESCRIPTION OF CHANGE-IS (WAS)

CONFIDENTIAL
 THIS DRAWING AND ALL INFORMATION CONTAINED THEREIN ARE THE EXCLUSIVE PROPERTY OF MINUTEMAN INTERNATIONAL, INC. THIS DRAWING IS NOT TO BE COPIED OR OTHERWISE REPRODUCED WITHOUT EXPRESSED WRITTEN PERMISSION OF MINUTEMAN INTERNATIONAL, INC. IN ADDITION, THIS DRAWING MUST BE RETURNED UPON REQUEST. FURTHER, ALL INFORMATION CONTAINED HEREIN MUST BE MAINTAINED CONFIDENTIAL.

SOURCE:	
PN:	
MATL:	
FINISH:	UNSPECIFIED TOLERANCES
	.X .1 ANGULAR: .XX .03 X .1 .XXX .010 X .5
DES. ENG:	
ENG. REL:	

		175 Anderson Street Aberdeen, NC 28315 PHONE (910) 944-2105 FAX (910) 944-7409	
CAD BY:	JGH	DATE:	1/25/12
DESCRIPTION:	SCHEMATIC HYDRAULIC C82 DSL		
PART NO.:	3344771	REV LEV:	* 6 of 6